

REVISION T

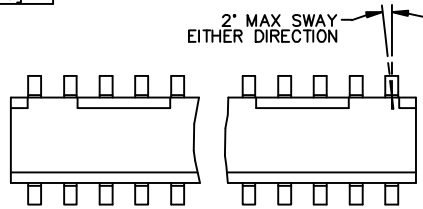
| TABLE 1 | |
|--------------|-------------|
| POSITION | COPLANARITY |
| -02 THRU -40 | .004 [.10] |
| -41 THRU -50 | .006 [.15] |

UNLESS OTHERWISE NOTED: DIMENSIONS ARE IN INCHES [MILLIMETERS ARE IN BRACKETS] TOLERANCES ARE:
 ONE PLACE DECIMALS ± .1[2.54] THREE PLACE DECIMALS ± .005[.127] ANGLES ± 2°
 TWO PLACE DECIMALS ± .01[.25] FOUR PLACE DECIMALS ± .0020[.051]

TITLE: LOW PROFILE
 .050 x .050
 DOUBLE ROW ASM

DWG NO: CLP-1XX-XX-X-DH-XX
 SHEET 1 OF 1

CLP-1XX-XX-X-DH-XX



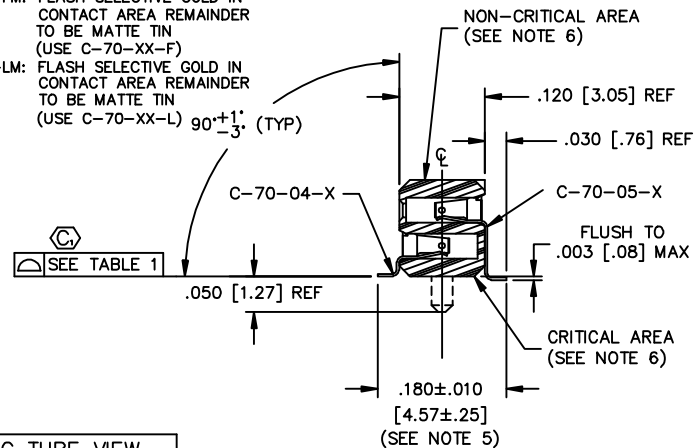
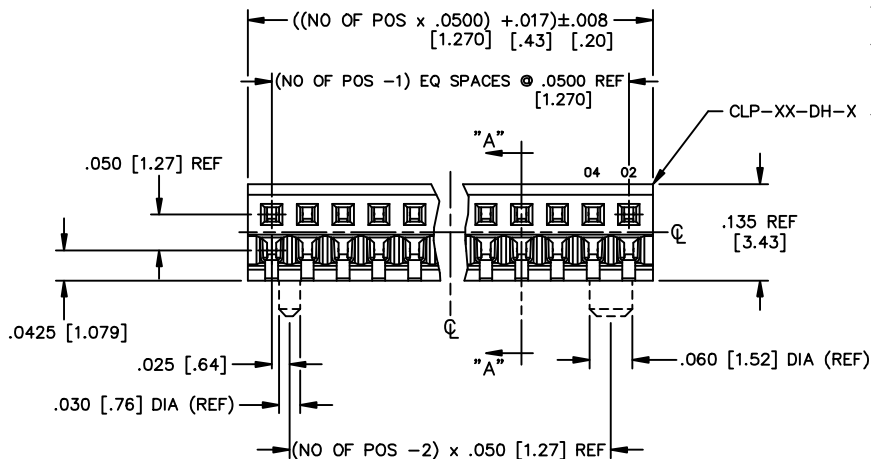
No. OF POSITIONS PER ROW
 -02 THRU -50

LEAD STYLE
 -02: SURFACE MOUNT

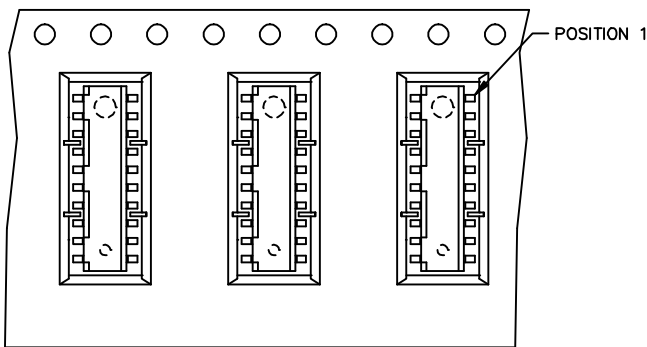
PLATING
 -F: FLASH SELECTIVE GOLD (USE C-70-XX-F)
 -L: LIGHT SELECTIVE GOLD (USE C-70-XX-L)
 -FM: FLASH SELECTIVE GOLD IN CONTACT AREA REMAINDER TO BE MATTE TIN (USE C-70-XX-F)
 -LM: FLASH SELECTIVE GOLD IN CONTACT AREA REMAINDER TO BE MATTE TIN (USE C-70-XX-L)

OPTION
 -TR: TAPE & REEL PACKAGING
 -A: ALIGNMENT PIN (USE CLP-XX-DH-A) (BODIES MUST BE MOLDED TO POSITION) (AVAILABLE ON POSITIONS -04 THRU -50) [SEE NOTE 7]

BODY SPECIFICATION
 -DH: DOUBLE HORIZONTAL

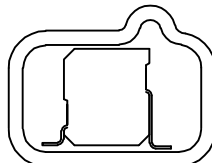


-TR: TAPE & REEL VIEW
 (SCALE: .75)

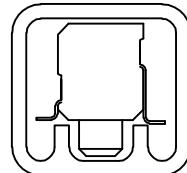


USER DIRECTION OF UNREELING →

PACKAGING TUBE VIEW



-DH NO OPTION
 PT-1-24-02-37
 (TUBE USES (2) TP-12)



WITH -A OPTION
 PT-1-24-01-62
 (TUBE USES (2) TP-12)

NOTES:

- ALL DIMENSIONS TO BE SYMMETRICAL ABOUT CENTERLINE WITHIN ±.002 UNLESS OTHERWISE NOTED.
- POSITIONS -05 THRU -50 ARE TO BE PACKAGED IN TUBES.
- CONTACT RETENTION FORCE: 1 LB MIN.
- Ⓢ REPRESENTS A CRITICAL DIMENSION.
- TAILS ARE SHEARED. MAX BURR, ORIENTED AWAY FROM CUSTOMER'S P.C.B ONLY, TO BE .0045 MAX.
- .015 [.38] MAX CUT FLASH IN NON-CRITICAL AREAS; NO CUT FLASH TO BE PRESENT IN CRITICAL AREAS AS SHOWN.
- MOLD STEEL CAPABLE OF -02 & -03 POSITION (-A OPTION), BUT NOT ENG'G APPROVED.

PROPRIETARY NOTE
 THIS DOCUMENT CONTAINS INFORMATION CONFIDENTIAL AND PROPRIETARY TO SAMTEC INC. AND SHALL NOT BE REPRODUCED OR TRANSMITTED TO OTHER DOCUMENTS OR DISCLOSED TO OTHERS OR USED FOR ANY PURPOSE OTHER THAN THAT FOR WHICH IT WAS OBTAINED WITHOUT THE EXPRESSED WRITTEN CONSENT OF SAMTEC INC.

samtec

MISC\MKTG
 CLPDHMKT

520 PARK EAST BLVD. NEW ALBANY, INDIANA 47150
 PHONE (812) 944-6733 P.O. BOX 1147
 CODE 55322

MADE BY: PURVIS 11-29-95

CLP-1XX-XX-X-DH-XX